



MACKIE®

SRM550 • SRM650 • SRM750

1600W High-Definition Powered Loudspeakers



SRM550 12" 2-WAY POWERED LOUDSPEAKER

SRM650 15" 2-WAY POWERED LOUDSPEAKER

SRM750 2 X 15" 2-WAY POWERED LOUDSPEAKER

SRM 1600W High-Definition Powered Loudspeakers deliver a new level of SRM ruggedness, clarity and simplicity with unmatched bass response. Huge system power is paired with custom transducers within professional-grade, internally-braced all-wood cabinets that are “Built-Like-A-Tank”.

These SRM loudspeakers feature our High Definition Audio Processing™, including patented acoustic correction DSP, plus system optimization tools like application-specific speaker modes and an amazingly accurate feedback destroyer.

Ready for anything, the integrated 2-channel mixer with Wide-Z™ inputs can handle any signal with ease. These SRM loudspeakers deliver the high output, amazing sound and proven durability you demand for your professional PA system.



Like us



Follow us



Watch our dang videos

FEATURES:

- 1600W system power paired with custom transducers deliver gig-level volumes with room to spare
 - 12" high-output LF driver / 1.4" titanium dome compression driver [SRM550]
 - 15" high-output LF driver / 1.4" titanium dome compression driver [SRM650]
 - 2 x 15" high-output LF driver / 1.4" titanium dome compression driver [SRM750]
- “Built-Like-A-Tank” all-wood, internally braced cabinet delivers professional-grade road-worthiness
 - Rugged 18-gauge steel grille and fine-textured, sleek black cabinet finish
 - Front ported for maximum low-end extension and punch
- High-Definition Audio Processing for professional sound with unmatched clarity
 - Patented acoustic correction developed with touring geniuses at EAW®
 - Precision 2-way digital crossover
 - Driver time alignment and phase correction
- Quick one-button Speaker Mode selection for application-specific voicing (PA, DJ, Monitor, Soloist), (PA, DJ, Fill, Speech – SRM750 only)
- Effortlessly eliminate nasty feedback with one-button automatic Feedback Destroyer
- Integrated 2-channel mixer featuring dual Wide-Z™ inputs
 - Handles anything from mics to guitars to mixers with a single twist of the gain knob
 - Includes stereo RCA inputs for easy connection to music source
 - Perfect for the singer/songwriter, plug in and leave the mixer at home
- Smart Protect™ DSP kicks in to protect your investment when things get pushed a little too hard
- Flyable via standard M10 eyebolts
- Monitor-specific 60° angle and voicing mode perfect for cutting through on stage [SRM550 / SRM650]



SRM LOUDSPEAKER SPECIFICATIONS

Acoustic Performance

Frequency Response (-3 dB)	55 Hz – 17 kHz [SRM550]
	50 Hz – 17 kHz [SRM650]
	42 Hz – 20 kHz [SRM750]
Frequency Response (-10 dB)	49 Hz – 20 kHz [SRM550]
	39 Hz – 20 kHz [SRM650]
	37 Hz – 20 kHz [SRM750]
Max peak SPL	132 dB [SRM550]
	133 dB [SRM650]
	135 dB [SRM750]
Crossover Point	3 kHz
Dispersion	90° x 50°

High-Frequency Section

Voice Coil Diameter	1.0 in / 25 mm
Horn Entry Diameter	1.4 in / 36 mm
Diaphragm Material	Titanium
Magnet Material	Ferrite

Low-Frequency Section

Woofer Diameter	12.0 in / 305 mm [SRM550]
	15.0 in / 381 mm [SRM650]
	2 x 15.0 in / 381 mm [SRM750]
Voice Coil Diameter	2.6 in / 66 mm [SRM550]
	3.0 in / 76 mm [SRM650]
	2.5 in / 64 mm [SRM750]
Diaphragm Material	Paper
Magnet Material	Ferrite

Power Amplifiers

System Power Amplification	
Rated Power	800 watts rms 1600 watts peak

Low Frequency Power Amplifier

Rated Power	400 watts rms 800 watts peak
Rated THD	< 1%
Cooling	Convection
Design	Class D

High Frequency Power Amplifier

Rated Power	400 watts rms 800 watts peak
Rated THD	< 1%
Cooling	Convection
Design	Class D

Input / Output

Channel 1	
Mic-Line	8 kΩ balanced
1/4" TRS, Wide-Z™	1 MΩ unbalanced
Channel 2	
Mic-Line	8 kΩ balanced
1/4" TRS, Wide-Z™	1 MΩ unbalanced
RCA	25 kΩ unbalanced
Thru	Male XLR balanced [Passive when the Ch 1 / Mix switch is in the "out" (Ch 1) position] [Active when the Ch 1 / Mix switch is in the "in" (Mix) position]

Power

US detachable line cord	100 – 120 VAC, 50 – 60 Hz, 200W
EU detachable line cord	200 – 240 VAC, 50 – 60 Hz, 200W
AC Connector	3-pin IEC 250 VAC
Power Supply Type	Switchmode
Operating Temperature [extended ambient temperature]	0 - 40 °C 32 - 104 °F

Safety Features

Input Protection	Peak and RMS limiting, power supply and amplifier thermal protection
Display LEDs	Defeatable front power ON (Running Man logo), Front load power limiter, Speaker Mode, Feedback Destroyer, input signal

Construction Features

Cabinet	15 mm Poplar
Finish	High durability black paint
Handles	One on each side
Grille	Powder-coated 18 gauge steel
Fly Points	Three M10 x 1.5 x 37 mm [SRM550 / SRM650] Ten M10 x 1.5 x 37 mm [SRM750]
Monitor Angle	60° [SRM550 / SRM650]



SRM LOUDSPEAKER SPECIFICATIONS CONT...

Mounting Methods

Floor mount, pole mount or fly via integrated M10 mounting points (using M10 x 1.5 x 37 mm forged shoulder eyebolts).

Physical Properties (packaged product)

SRM550

Height	24.7 in / 627 mm
Width	18.3 in / 465 mm
Depth	18.9 in / 480 mm
Weight	44 lb / 20 kg

SRM650

Height	28.9 in / 734 mm
Width	21.9 in / 556 mm
Depth	22.0 in / 559 mm
Weight	55 lb / 24.9 kg

SRM750

Height	45.3 in / 1151 mm
Width	23.7 in / 602 mm
Depth	23.7 in / 602 mm
Weight	99 lb / 44.9 kg

Physical Properties (product)

SRM550

Height	23.0 in / 585 mm
Width	14.2 in / 360 mm
Depth	14.9 in / 377 mm
Weight	37 lb / 16.8 kg

SRM650

Height	26.7 in / 677 mm
Width	17.5 in / 445 mm
Depth	17.4 in / 441 mm
Weight	46 lb / 21 kg

SRM750

Height	42.5 in / 1080 mm
Width	17.5 in / 445 mm
Depth	18.0 in / 458 mm
Weight	89 lb / 40.4 kg

Options

PA-A2 Forged Shoulder Eyebolt Kit (3 x M10 x 1.5 x 37 mm)	P/N 0028272
SPM200 Loudspeaker Pole Mount	P/N 2035170-01
SRM550 Loudspeaker Cover	P/N 2036809-22
SRM650 Loudspeaker Cover	P/N 2036809-23
SRM750 Loudspeaker Cover	P/N 2036809-26

Ordering Information

SRM550 1600W 12" Powered Loudspeaker, US	P/N 2037992-00
SRM550 1600W 12" Powered Loudspeaker, EU	P/N 2037992-01
SRM550 1600W 12" Powered Loudspeaker, UK	P/N 2037992-03
SRM550 1600W 12" Powered Loudspeaker, AU	P/N 2037992-04
SRM550 1600W 12" Powered Loudspeaker, CN	P/N 2037992-05
SRM550 1600W 12" Powered Loudspeaker, BZ (120V)	P/N 2037992-06
SRM550 1600W 12" Powered Loudspeaker, BZ (230V)	P/N 2037992-16


SRM650 1600W 15" Powered Loudspeaker, US	P/N 2037982-00
SRM650 1600W 15" Powered Loudspeaker, EU	P/N 2037982-01
SRM650 1600W 15" Powered Loudspeaker, UK	P/N 2037982-03
SRM650 1600W 15" Powered Loudspeaker, AU	P/N 2037982-04
SRM650 1600W 15" Powered Loudspeaker, CN	P/N 2037982-05
SRM650 1600W 15" Powered Loudspeaker, BZ (120V)	P/N 2037982-06
SRM650 1600W 15" Powered Loudspeaker, BZ (230V)	P/N 2037982-16

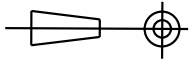
SRM750 1600W Dual 15" Powered Loudspeaker, US	P/N 2043139-00
SRM750 1600W Dual 15" Powered Loudspeaker, EU	P/N 2043139-01
SRM750 1600W Dual 15" Powered Loudspeaker, UK	P/N 2043139-03
SRM750 1600W Dual 15" Powered Loudspeaker, AU	P/N 2043139-04
SRM750 1600W Dual 15" Powered Loudspeaker, CN	P/N 2043139-05
SRM750 1600W 2x 15" Powered Loudspeaker, BZ (120V)	P/N 2043139-06
SRM750 1600W 2x 15" Powered Loudspeaker, BZ (230V)	P/N 2043139-16

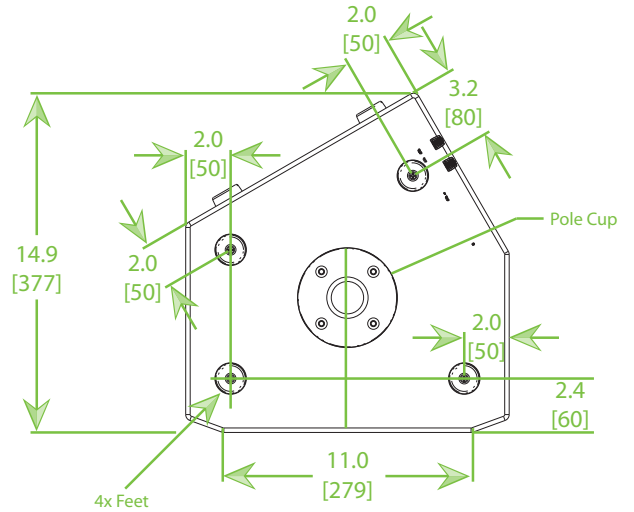


SRM550 LOUDSPEAKER DIMENSIONS

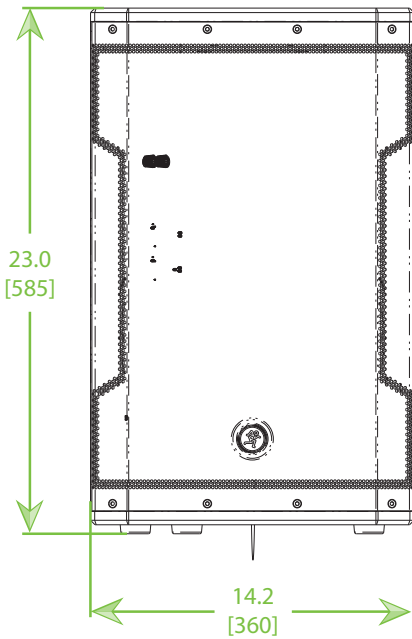
NOTES:

1. SYMBOL  INDICATES CENTER OF BALANCE.
2. WEIGHT APPROX. 37 lb [16.8 kg].
3. SHIPPING WEIGHT APPROX. 44 lb [20 kg].

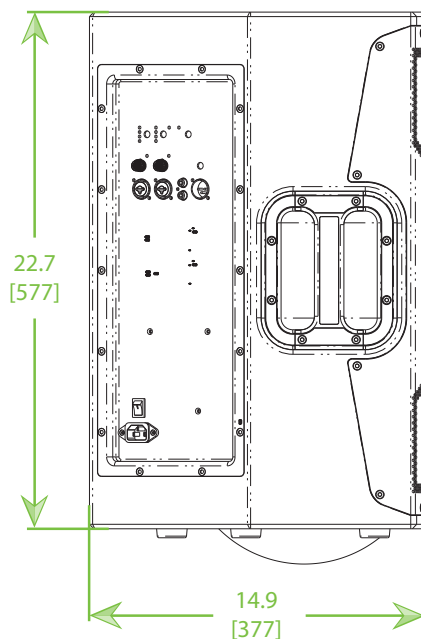
<p>THIRD ANGLE PROJECTION</p> 	<p>UNLESS OTHERWISE SPECIFIED: ALL DIMENSIONS ARE IN INCHES DUAL [MM] DIMENSIONS FOR REF ONLY</p> <p>TOLERANCE IN INCHES LINEAR ± 0.13 in / ± 3.3 mm ANGLES $\pm 1^\circ$</p> <p>(X.XX) = REF DIMS NO TOLERANCE IMPLIED</p> <p>TSC = THEORETICAL SHARP CORNER</p> <p>DIMENSIONS ACROSS CENTERLINES TO BE SYMMETRICAL</p>
<p>THE INFORMATION CONTAINED HEREIN IS PROPRIETARY AND CONFIDENTIAL PROPERTY OF LOUD TECHNOLOGIES, INC. ALL RIGHTS RESERVED</p>	



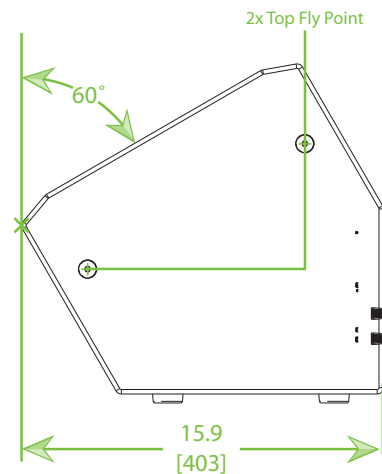
BOTTOM



FRONT



BACK




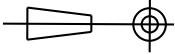
TOP

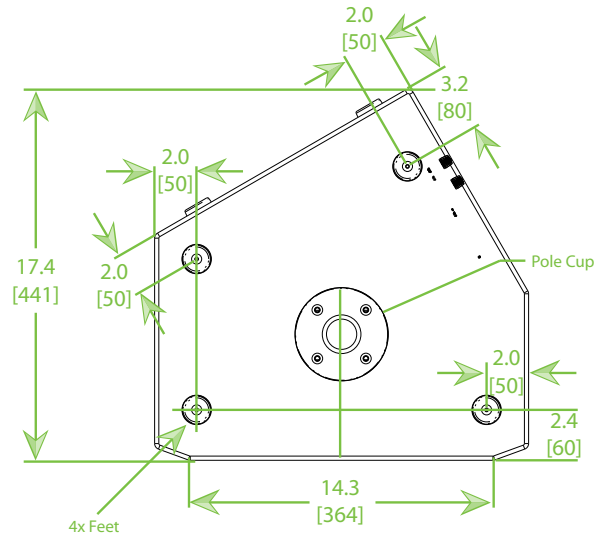


SRM650 LOUDSPEAKER DIMENSIONS

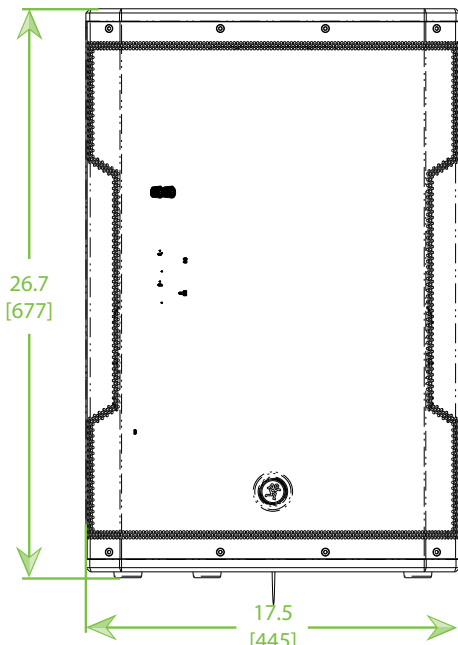
NOTES:

1. SYMBOL  INDICATES CENTER OF BALANCE.
2. WEIGHT APPROX. 46 lb [21 kg].
3. SHIPPING WEIGHT APPROX. 55 lb [24.9 kg].

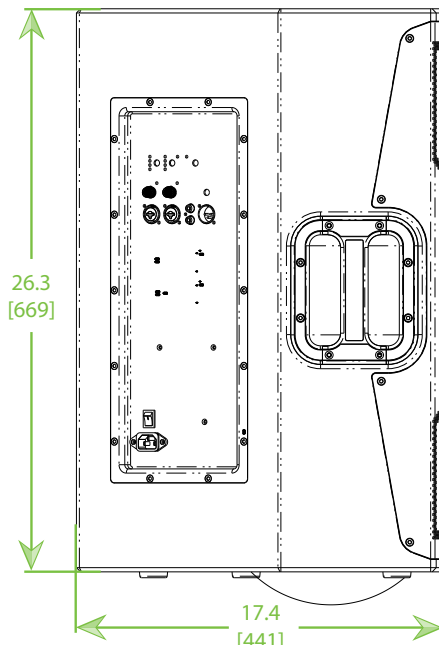
<p>THIRD ANGLE PROJECTION</p> 	<p>UNLESS OTHERWISE SPECIFIED: ALL DIMENSIONS ARE IN INCHES DUAL [MM] DIMENSIONS FOR REF ONLY</p> <p>TOLERANCE IN INCHES LINEAR ± 0.13 in / ± 3.3 mm ANGLES $\pm 1^\circ$</p> <p>(X.XX) = REF DIMS NO TOLERANCE IMPLIED</p> <p>TSC = THEORETICAL SHARP CORNER</p> <p>DIMENSIONS ACROSS CENTERLINES TO BE SYMMETRICAL</p>
<p>THE INFORMATION CONTAINED HEREIN IS PROPRIETARY AND CONFIDENTIAL PROPERTY OF LOUD TECHNOLOGIES, INC. ALL RIGHTS RESERVED</p>	



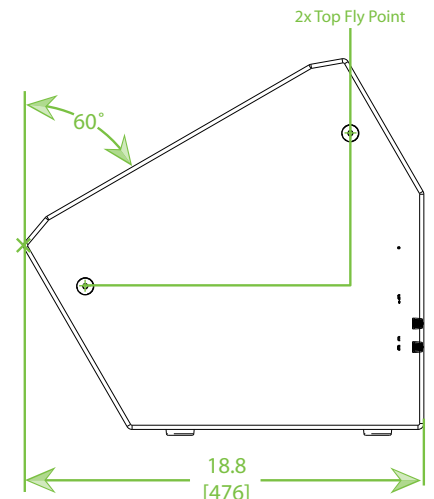
BOTTOM



FRONT




BACK

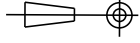


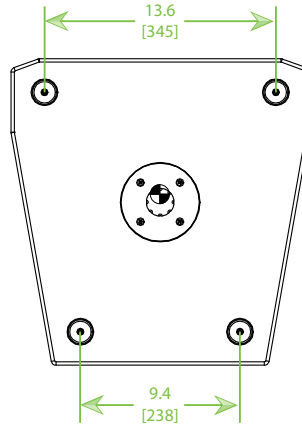
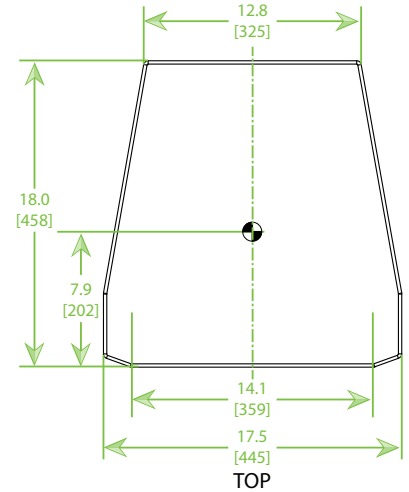
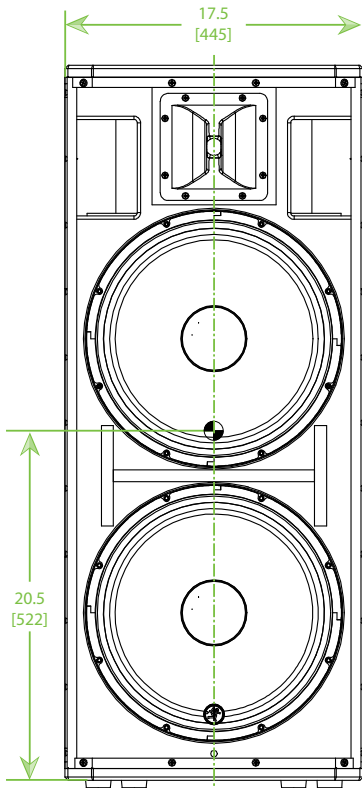
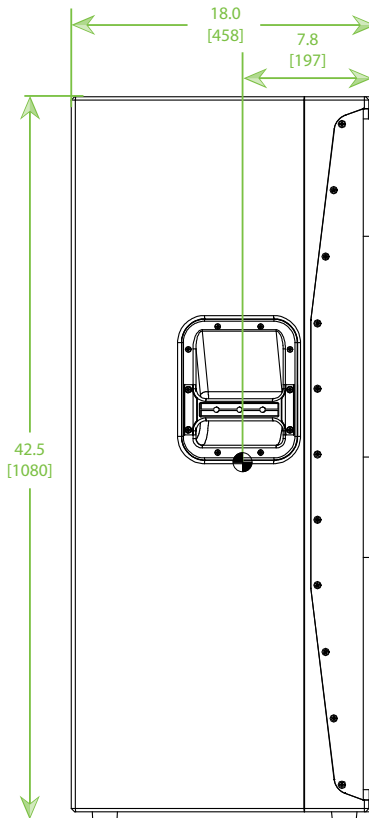
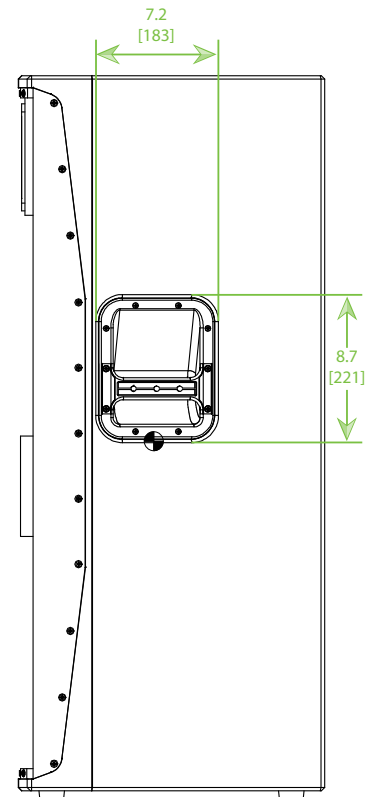
TOP

SRM750 LOUDSPEAKER DIMENSIONS

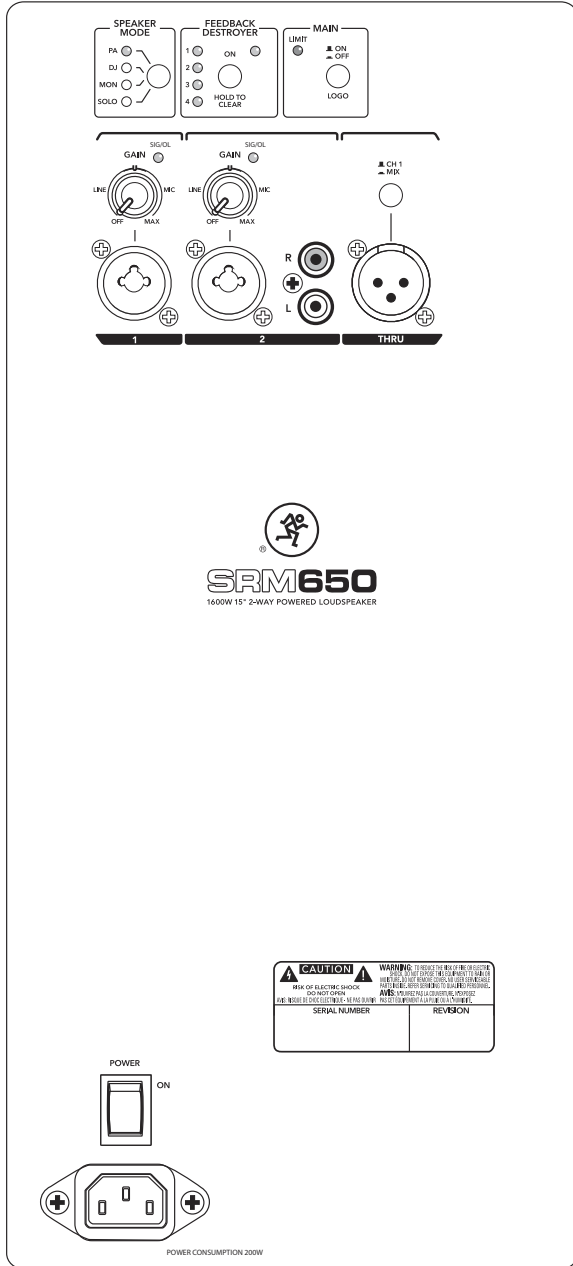
NOTES:

1. SYMBOL  INDICATES CENTER OF BALANCE.
2. WEIGHT APPROX. 89 lb [40.4 kg].
3. SHIPPING WEIGHT APPROX. 99 lb [44.9 kg].

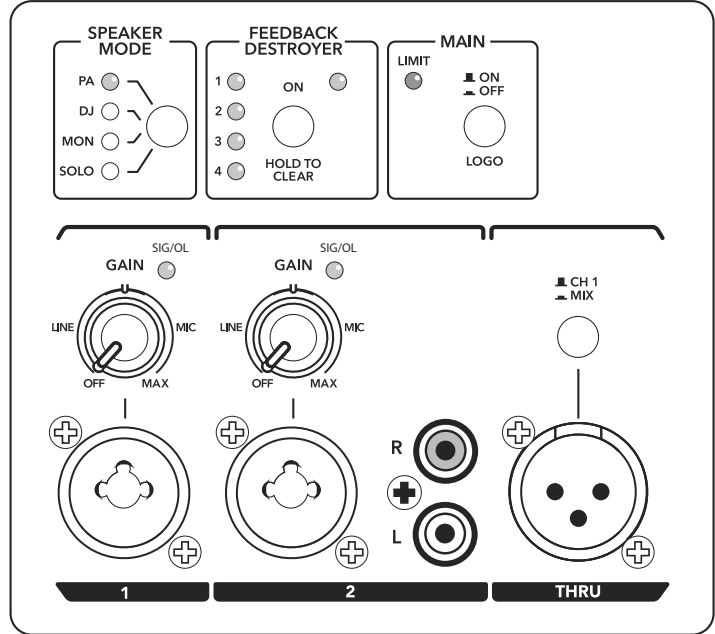
<p>THIRD ANGLE PROJECTION</p> 	<p>UNLESS OTHERWISE SPECIFIED: ALL DIMENSIONS ARE IN INCHES DUAL [MM] DIMENSIONS FOR REF ONLY</p> <p>TOLERANCE IN INCHES LINEAR ± 0.13 in / ± 3.3 mm ANGLES $\pm 1^\circ$</p> <p>(X.XX) = REF DIMS NO TOLERANCE IMPLIED</p> <p>TSC = THEORETICAL SHARP CORNER</p> <p>DIMENSIONS ACROSS CENTERLINES TO BE SYMMETRICAL</p>
<p>THE INFORMATION CONTAINED HEREIN IS PROPRIETARY AND CONFIDENTIAL PROPERTY OF LOUD TECHNOLOGIES, INC. ALL RIGHTS RESERVED</p>	


BOTTOM

TOP

FRONT

SIDE

SIDE

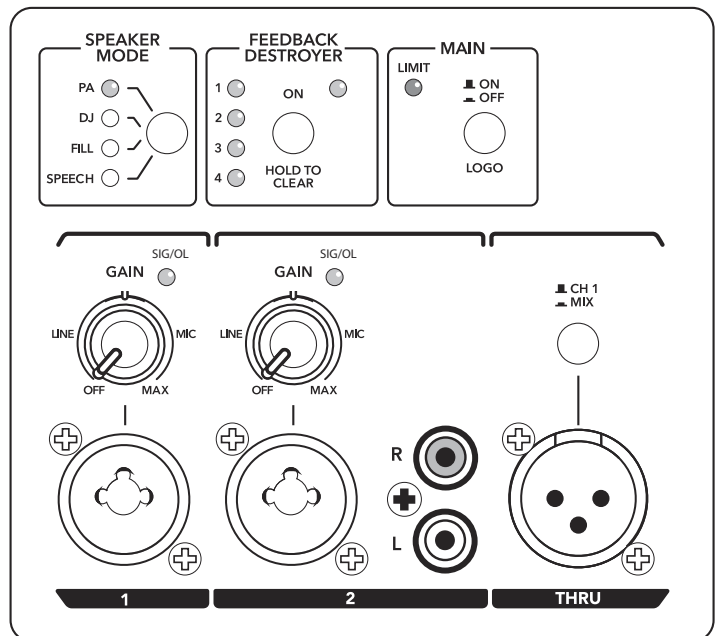
SRM LOUDSPEAKER REAR PANEL



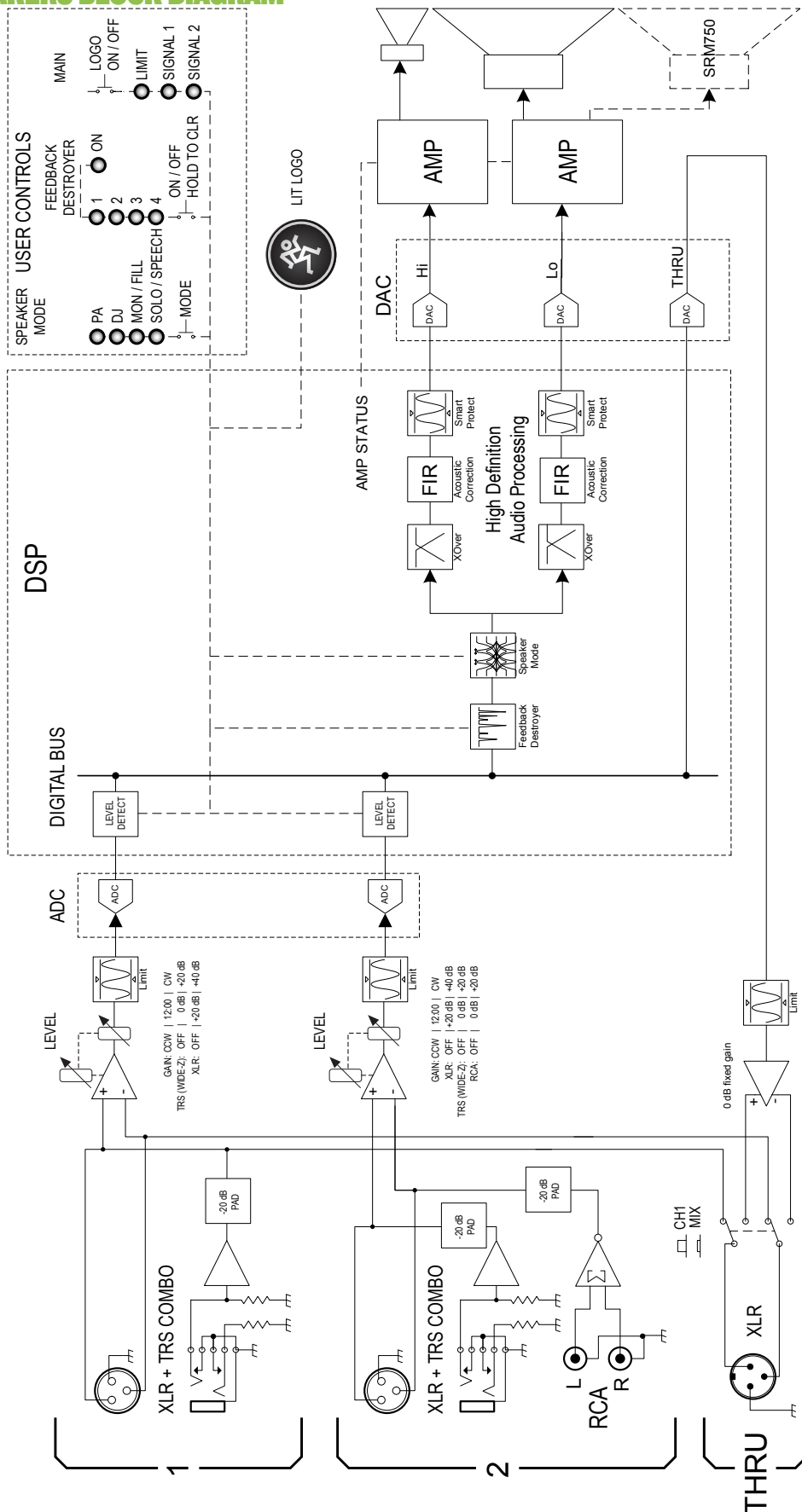
SRM550 / SRM650 REAR PANEL



SRM750 REAR PANEL

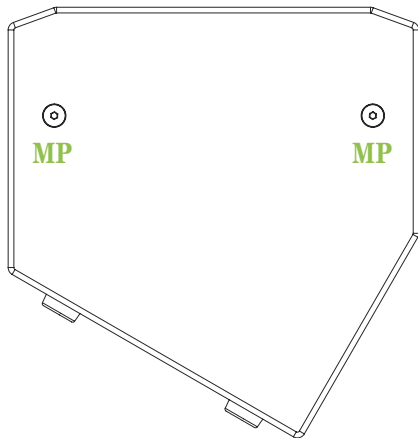


SRM LOUDSPEAKERS BLOCK DIAGRAM

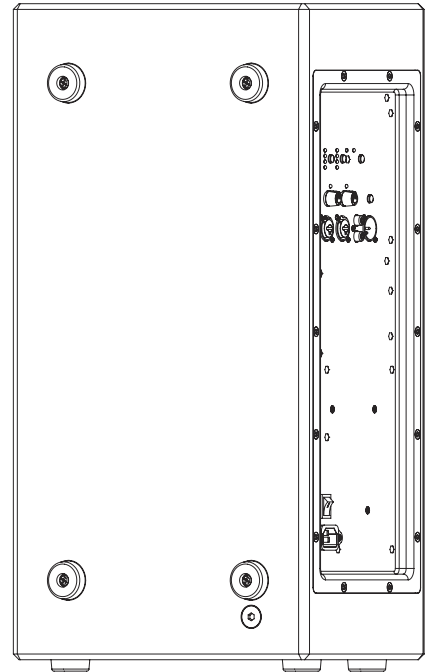


3 FLY POINTS [SRM550 / SRM650]

MP = Mounting Point



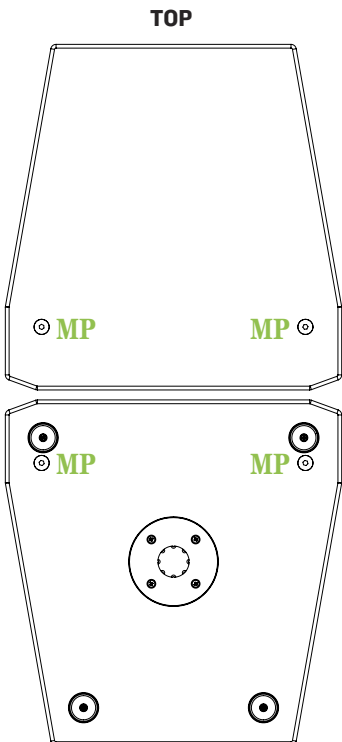
TOP



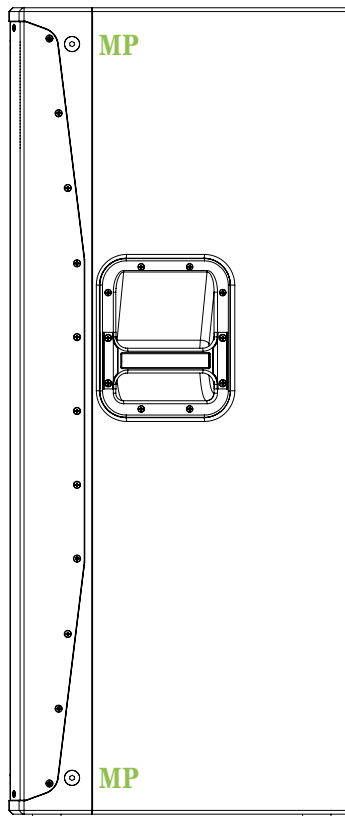
REAR

10 FLY POINTS [SRM750]

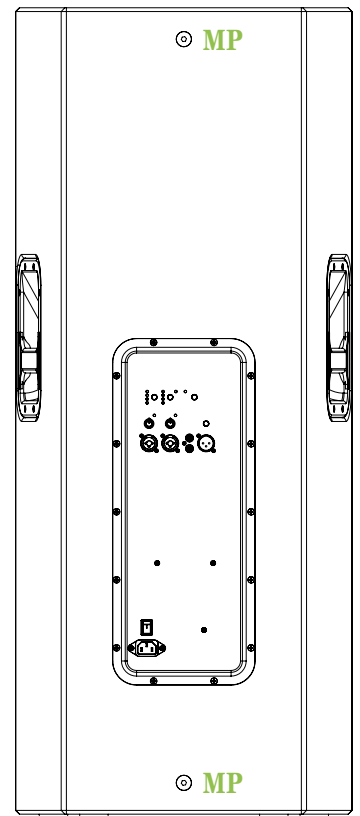
MP = Mounting Point



BOTTOM

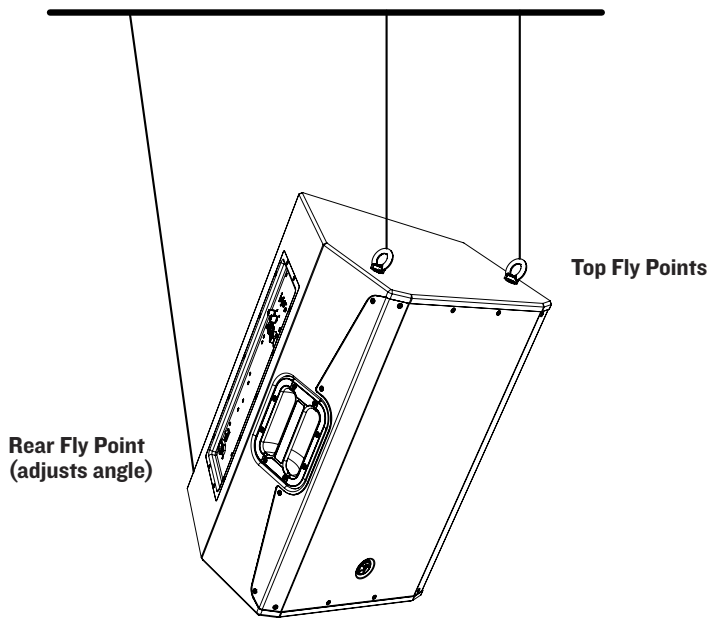


LEFT AND RIGHT SIDES

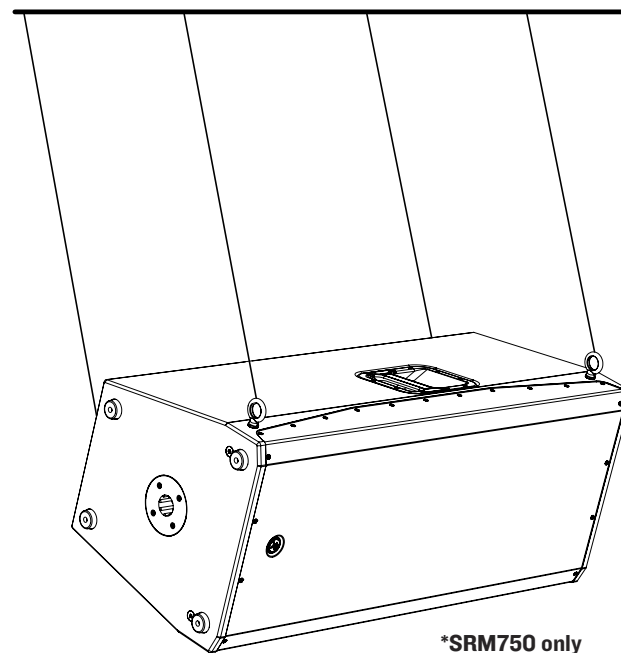


REAR

FLOWN VERTICALLY



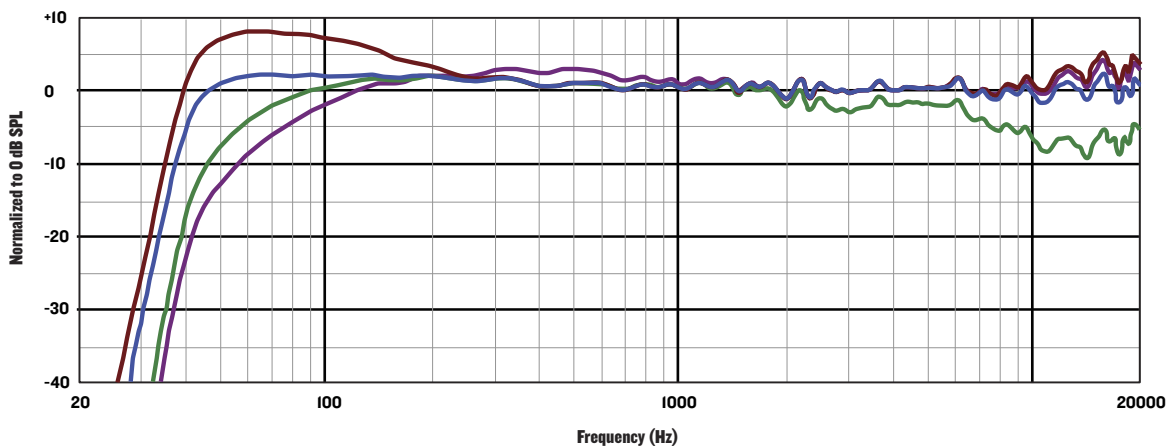
FLOWN HORIZONTALLY



SRM750 LOUDSPEAKER FREQUENCY RESPONSE EQ DESCRIPTIONS

- **PA Speaker Mode** – This mode is full range, but focuses on mid-range clarity where vocals often reside.
- **Fill Speaker Mode** – This mode features a mild low frequency roll-off to ensure minimal on stage low frequency build-up while providing a rich full range response with plenty of mid-high cut through. This plug-and-play mode is perfect for on stage monitor side fill applications, as well as when facing audience areas where a main FOH rig with subwoofers is present.
- **DJ Speaker Mode** – This mode bumps the lows and highs with a mild tuck to the mids, perfect for music playback.
- **Speech Speaker Mode** – This mode features a significant low frequency roll-off to get rid of unwanted thumps. It also adds boost and sparkle to mid-range and high frequencies, critical for speech applications. This plug-and-play mode is perfect for larger venue applications where speech is the primary audio source in need of clear and precise intelligibility.

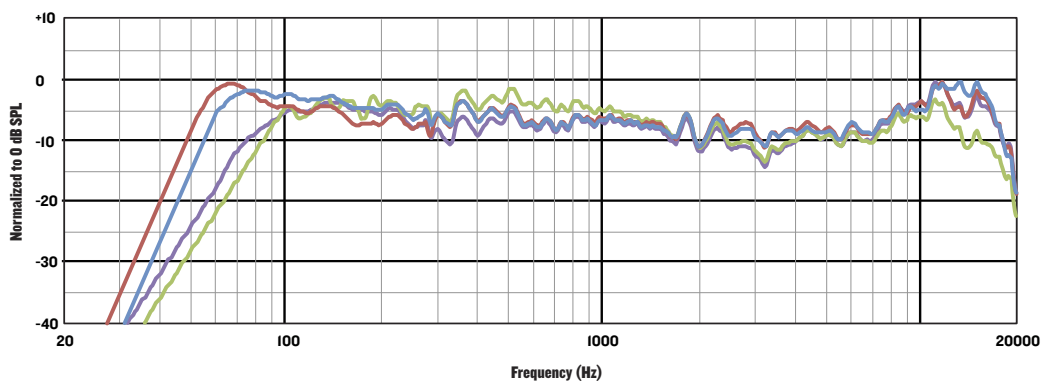
SRM750 LOUDSPEAKER FREQUENCY RESPONSE



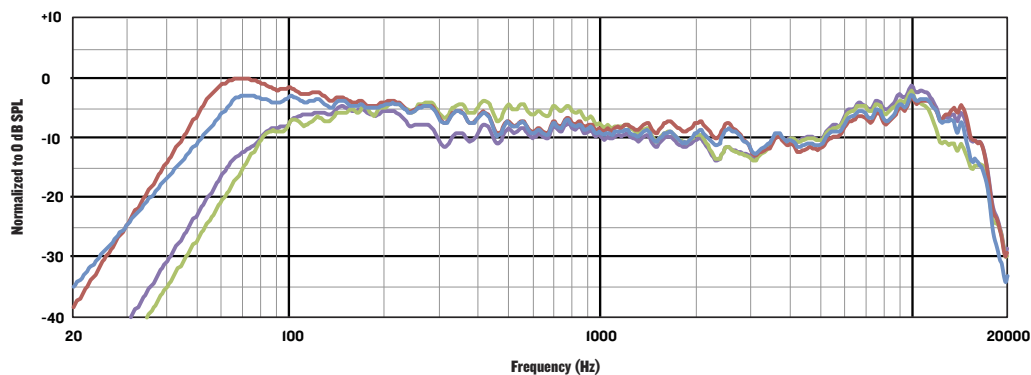
SRM550 / SRM650 LOUDSPEAKER FREQUENCY RESPONSE EQ DESCRIPTIONS

- **PA Speaker Mode** – This mode is full range, but focuses on mid-range clarity where vocals often reside.
- **Soloist Speaker Mode** – This mode features a low frequency roll-off to get rid of unwanted thumps and adds boost and sparkle to mid-range and high frequencies. This mode is perfect for plug-and-play singer-songwriters.
- **DJ Speaker Mode** – This mode bumps the lows and highs with a mild tuck to the mids, perfect for music playback.
- **Monitor Speaker Mode** – This mode features a low frequency roll-off and a reduction around 2 kHz to ensure maximum gain before feedback in monitor applications.

SRM550 LOUDSPEAKER FREQUENCY RESPONSE



SRM650 LOUDSPEAKER FREQUENCY RESPONSE



LOUD Technologies Inc. is always striving to improve our products by incorporating new and improved materials, components, and manufacturing methods. Therefore, we reserve the right to change these specifications at any time without notice.

“Mackie” and the “Running Man” figure are registered trademarks of LOUD Technologies Inc. All other brands mentioned are trademarks or registered trademarks of their respective holders, and are hereby acknowledged.

©2014 LOUD Technologies Inc. All rights reserved.

Electronic files for this product are available at:
www.mackie.com

Specification Sheet

SRM_Loudspeakers_SS.PDF

Owner's Manual

SRM_Loudspeakers_OM.PDF



www.mackie.com
16220 Wood-Red Road NE
Woodinville, WA 98072 USA
800-898-3211, Fax 425-487-4337

Part No. SW0999 Rev. B 07/14