

F118 MKII

The F118 is the single 18" version of the F218 for those who require a compact horn-loaded enclosure. In common with the F218, the Mark 2 version brings refined loading, improved heat dissipation and an updated driver specification. It provides strong, well-defined, clean bass from a small and manageable package. The F118 can be supplied with an optional pole mount for use with a wide range of mid-high products including the F101, F88, R1 and R2SH. An installation version of this enclosure with flying points is also available; which can be effectively used to provide bass extension to products such as the AX88.



Shown with optional stainless steel throat grill

Features:

- Proven loading design with latest Andrews' tuning
- Powerful and compact
- Funktion One designed driver
- Integral handles
- Optional throat grill
- Optional wheels
- Optional pole mount (35mm diameter)

Driver	Operating Band*	Sensitivity (1W at 1m)	Power (rms**)	Nominal Impedance
--------	-----------------	------------------------	---------------	-------------------

18"	25 - 125Hz	103dB	450W	8Ω
-----	------------	-------	------	----

*Please check website for latest crossover settings

**AES rated

Frequency Response ± 3 dB:

50Hz - 225Hz

Weight (ceramic magnets):

50kg (110lbs)

(neodymium magnets):

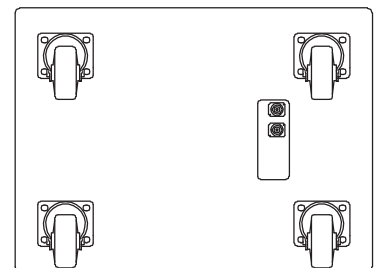
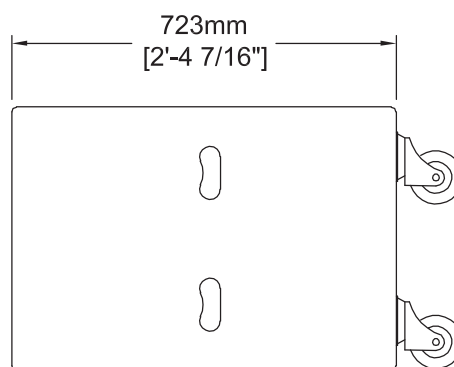
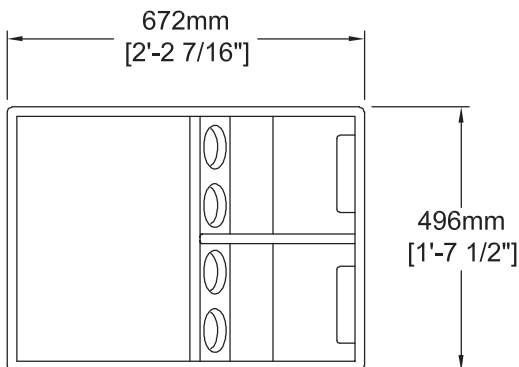
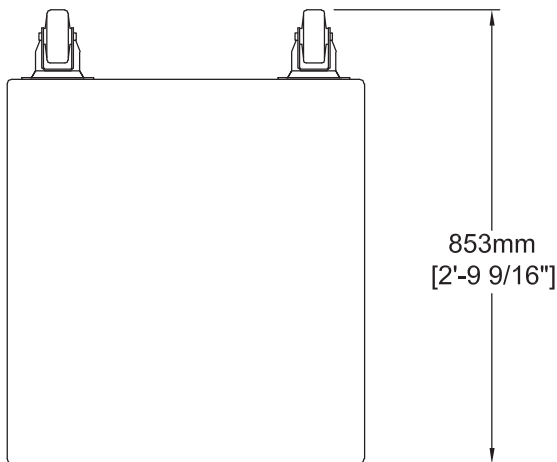
45kg (99lbs)

Construction:

18mm Birch Ply

Connectors:

2 x Speakon NL4



Wheels optional

