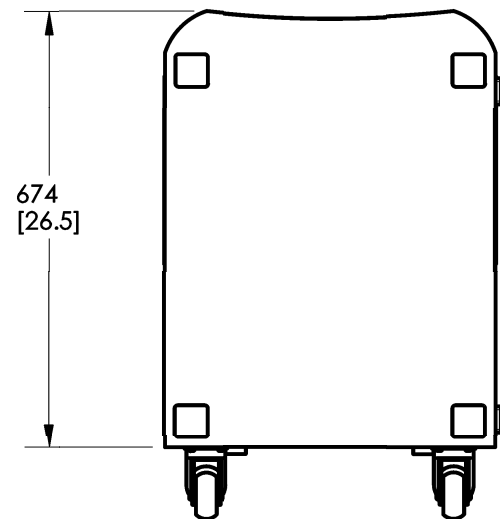
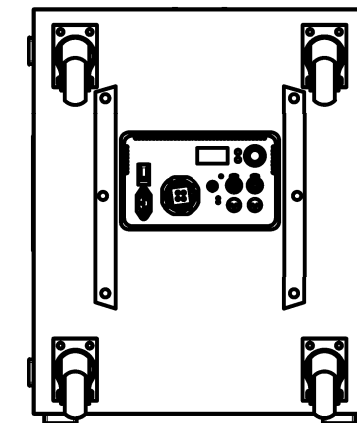
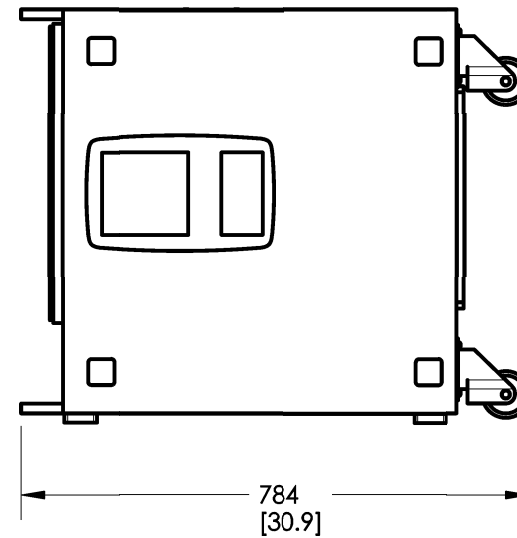
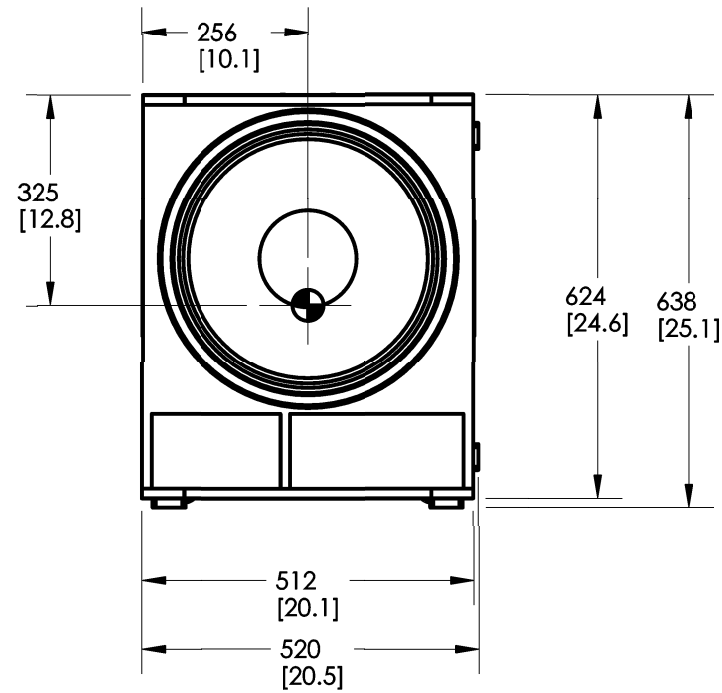
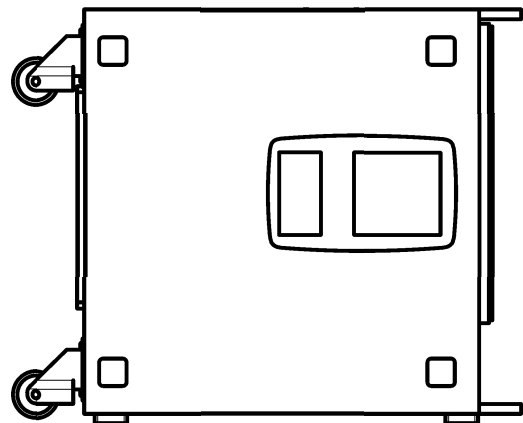
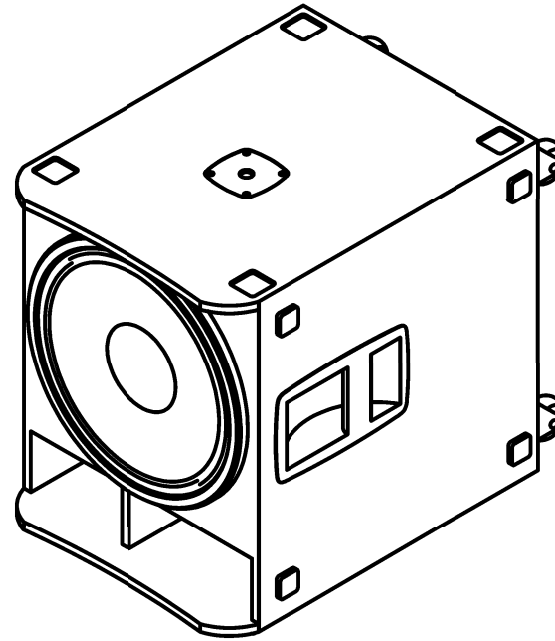
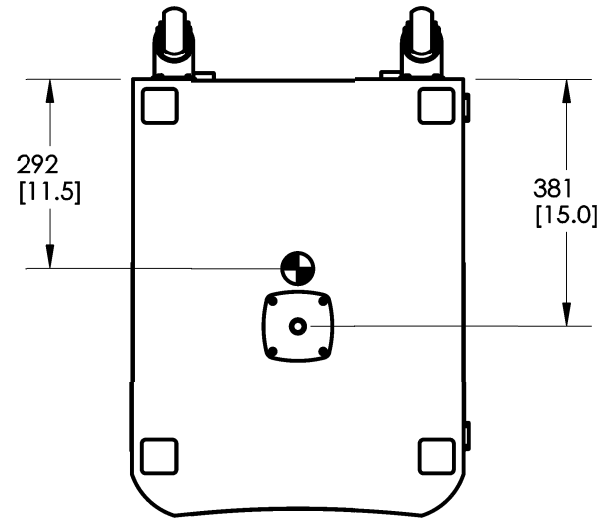


THIS DOCUMENT CONTAINS PROPRIETARY INFORMATION WHICH IS THE PROPERTY OF QSC, LLC, THAT MAY NOT BE DISCLOSED, REPRODUCED OR USED WITHOUT THE EXPRESS WRITTEN CONSENT FROM QSC, LLC.

REVISION		BY	DATE
REV	DESCRIPTION	AA	13-SEP-19
A	RELEASED		

NOTES: UNLESS OTHERWISE SPECIFIED

- NET WEIGHT APPROX. 46.72 KG [103 LBS].
- TOLERANCES (MM): $X \pm 5$, ANGLES: $\pm 1^\circ$.
- DIMENSIONS ARE IN MILLIMETERS [INCH].
- SYMBOL \odot INDICATES POLE MOUNT LOCATION.
- SYMBOL \oplus INDICATES CENTER OF BALANCE.
- GRILLE NOT SHOWN FOR CLARITY.



UNLESS OTHERWISE SPECIFIED DIMENSIONS ARE IN MM [IN] TOLERANCES ARE: DECIMALS .X ± X [XX] ANGLES ±X° XX ± XX [XXX]	
MATERIAL	SEE NOTES
FINISH	SEE NOTES
DO NOT SCALE DRAWING	
PROJECTION SYMBOL	\odot

CAD GENERATED DRAWING DO NOT MANUALLY UPDATE	
APPROVALS	
DRAWN BY	A. ARANDA
MECH ENGINEER	B. HAWKINS
TECH DIRECTOR	R. VAUCHER
MFG ENGINEER	C. YOMOYIDA

QSC QSC, LLC 1675 MACARTHUR BOULEVARD COSTA MESA, CA 92626 USA			
SPEAKER FINISHED, KS118, L021			
SIZE	CAGE CODE	DWG. NO.	REV
B	00PW4	FG-901258-2D	A
SCALE: 1:12		CAD FILE: FG-901258-2D.A.5	SHEET: 1 OF 1