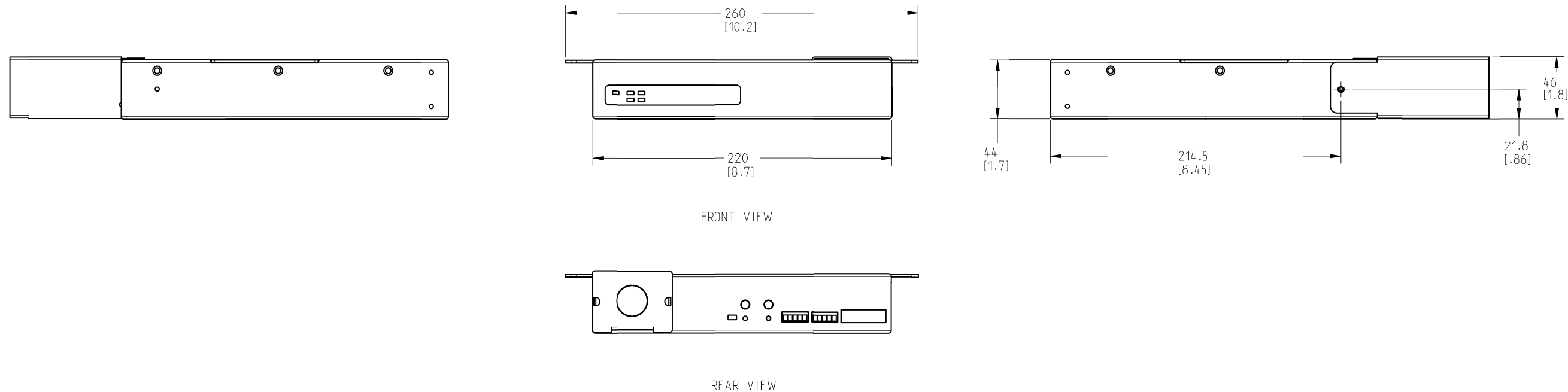
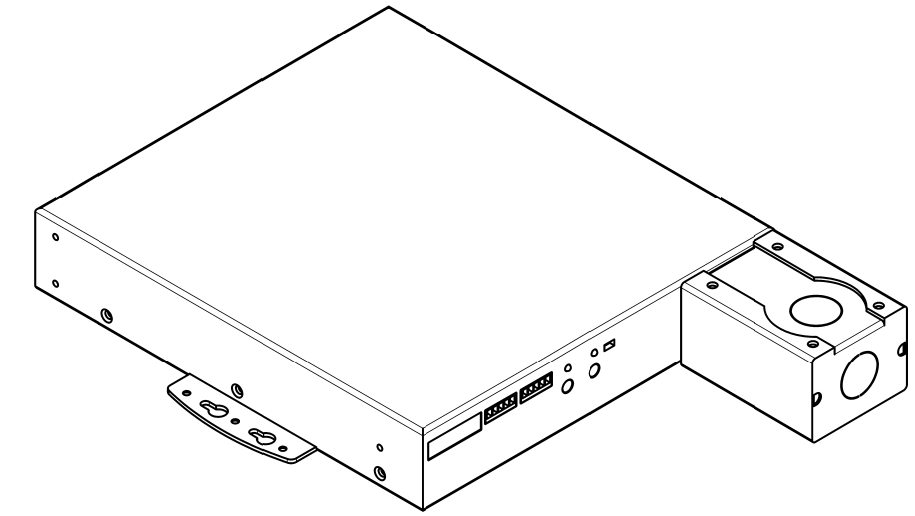
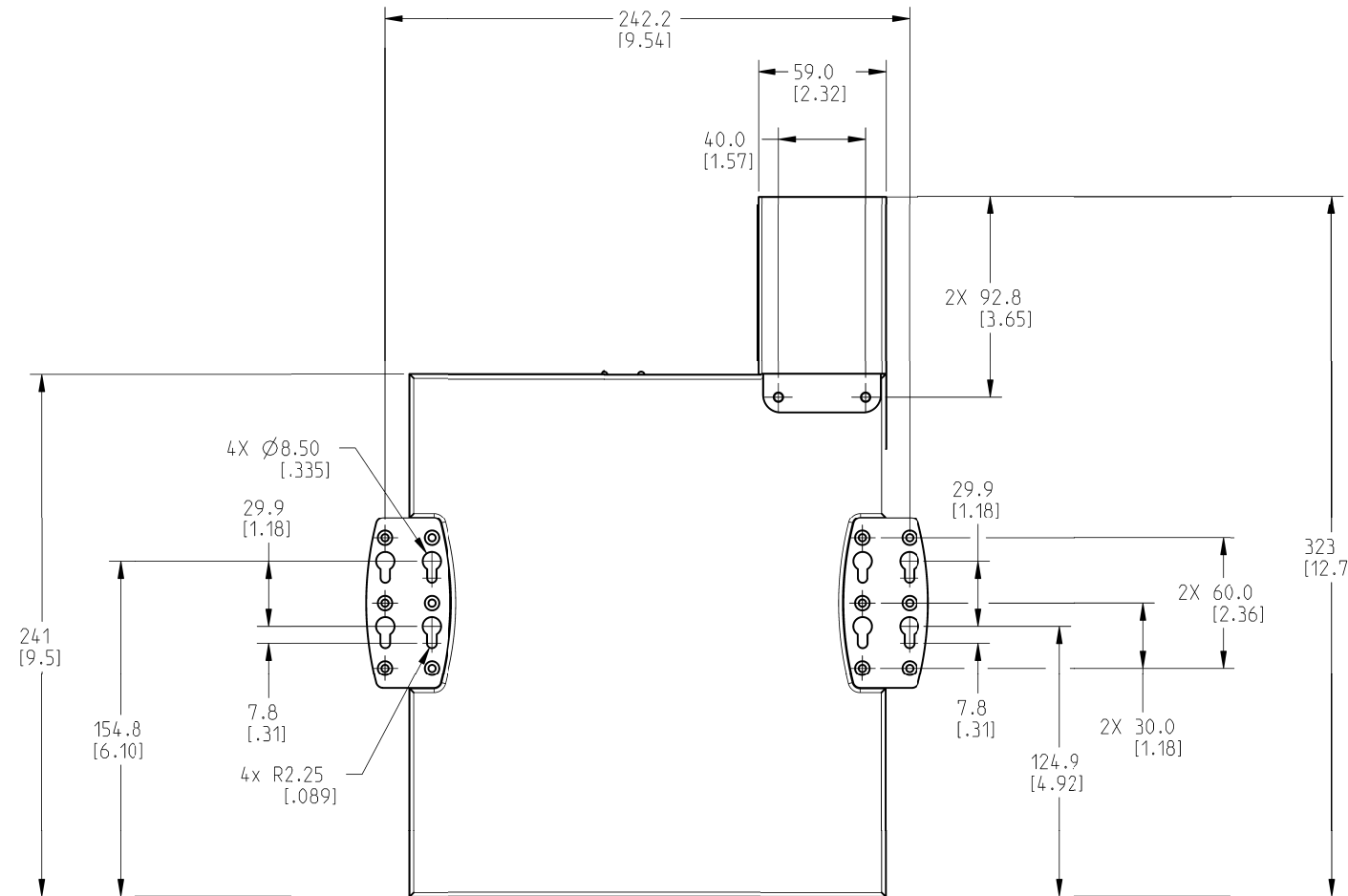


THIS DOCUMENT CONTAINS PROPRIETARY INFORMATION WHICH IS THE PROPERTY OF QSC AUDIO PRODUCTS. THAT MAY NOT BE DISCLOSED, REPRODUCED OR USED WITHOUT EXPRESS WRITTEN CONSENT FROM QSC AUDIO PRODUCTS.

REVISIONS			
REV	DESCRIPTION	BY	DATE
A	RELEASE FOR SALES AND MARKETING	SS	04-SEP-15



- MEETS UL2043 WITH PLENUM KIT FG-000995-00.
- MEETS ENERGYSTAR REQUIREMENTS.
- CHASSIS DESIGNED TO MEET 1U RACK MOUNT SPECIFICATION IEC60297-3-100.
- FEATURES SYMMETRICAL ABOUT CENTERLINE.
- NET WEIGHT OF SPA2-60 APPROX. 1.1 KG (3.5 LBS). HARDWARE IS ADDITIONAL WEIGHT.

NOTE: UNLESS OTHERWISE SPECIFIED.

UNLESS OTHERWISE SPECIFIED DIMENSIONS IN MILLIMETERS (IN)	DESIGNER	ENGINEERING SERVICES	QSC	QSC AUDIO PRODUCTS, LLC	
	ENGINEER			1675 MACARTHUR BOULEVARD COSTA MESA, CA 92626	
TOLERANCES ARE:	TECHNICAL DIRECTOR	SPA2-60, SURFACE MOUNT, PLENUM KIT			
DECIMALS .XX ± .01	MANUFACTURING ENGINEER	SIZE	CAGE CODE	DRAWING NO.	REV
FRACTIONS 1/16 ± 1/32		D	00PW4	FG-002202-2D-F	A
ANGLES ± 1/2		DRAWING INFO:	FG-002202-2D-F-A.1	SCALE:	0.600 DO NOT SCALE DRAWING SHEET
DEBURR EDGES .25 (.010) R MAX		MODEL INFO:	FG-002202-3D-FA.0		
MATERIAL					
FINISH					